



***Lendell 125***  
RY-125LD



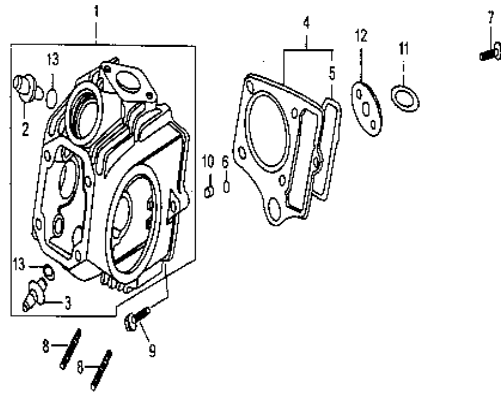
**SPARES**

**ENGINE PARTS**

## INDEX

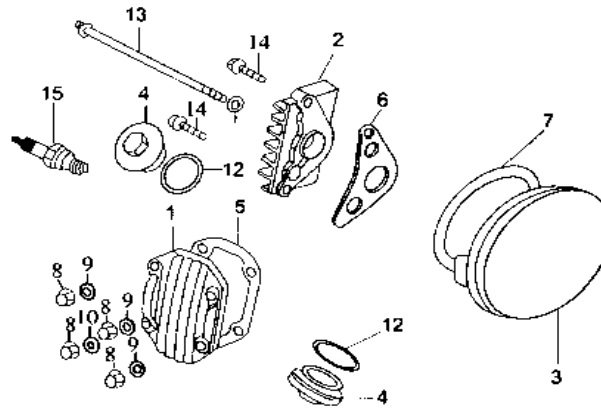
ASSY NO.	DESCRIPTION	PAGE NO.
A1	CYLINDER HEAD ASSY	1
A2	CYLINDER HEAD COVER	2
A3	CYLINDER BLOCK	3
A4	CAMSHAFT/VALVE ASSY	4
A5	TIMING CHAIN ASSY	5-6
A6	CRANKSHAFT ASSY	7-8
A7	CRANKCASE ASSY	9
A8	OIL PUMP ASSY	10
A9	CLUTCH ASSY	11-12
A10	RIGHT CRANKCASE COVER	13-14
A11	TRANSMISSION ASSY	15-16
A12	KICK ASSY	17
A13	GEAR SHAFT ASSY	18-19
A14	LEFT CRANKCASE COVER/MAGNETO ASSY	20-21
A15	STARTING CLUTCH ASSY	22-23
A16	STARTING MOTOR ASSY	24

### A1 - CYLINDER HEAD ASSY



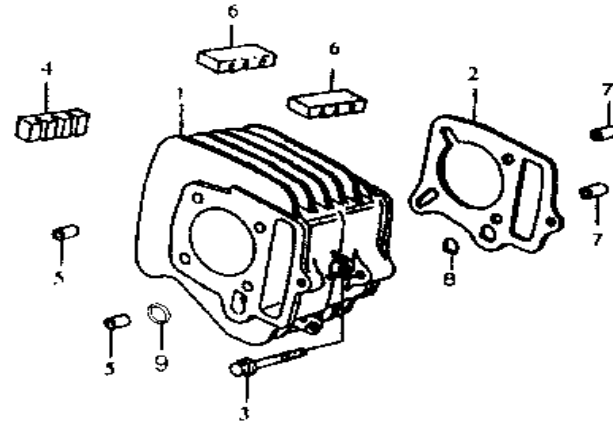
S.NO.	PART CODE	DESCRIPTION	QUANTITY
A1 - 1	200A000	CYLINDER HEAD COMP	1
A1 - 2	D00A001	INTAKE VALVE GUIDE	1
A1 - 3	D00A002	EXHAUST VALVE GUIDE	1
A1 - 4	E03B008	GASKET,CYLINDER HEAD	1
A1 - 5	201-2-5	GASKET,CHAIN HOUSING	1
A1 - 6	D00C031	RECTANGULAR RING 9×11.7×1.5	1
A1 - 7	578306022BCR	BOLT M6×22	2
A1 - 8	D00M009	STUD M6×32	2
A1 - 9	E03M016	BOLT M6×23	1
A1 - 10	D00L040	SLEEVE 8×9	1
A1 - 11	D00C059	O-RING 27×2.0	1
A1 - 12	D001C039	HEAT INSULATOR GASKET, INTAKE PIPE	1
A1 - 13	D00C047	O-RING 9×1.6	2

## A2 - CYLINDER HEAD COVER



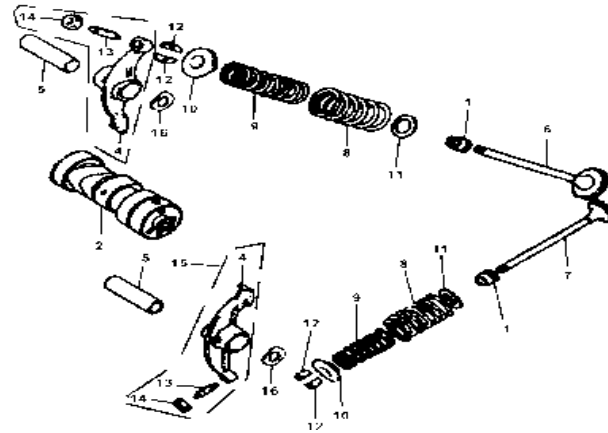
S.NO.	PART CODE	DESCRIPTION	QUANTITY
A2 - 1	D00A036	COVER,CYLINDER HEAD	1
A2 - 2	E03A035	CYLINDER HEAD COVER,R	1
A2 - 3	E03A033	CYLINDER HEAD COVER,L	1
A2 - 4	D00A032	VALVE COVER	2
A2 - 5	D00B009	GASKET,CYLINDER HEAD COVER	1
A2 - 6	D00B007	GASKET,CYLINDER HEAD COVER,R	1
A2 - 7	D00B006	GASKET,CYLINDER HEAD COVER,L	1
A2 - 8	923H070000	CAP NUT M7	4
A2 - 9	E03L016	WASHER $\phi$ 7	3
A2 - 10	E03L008	WASHER $\phi$ 7 (COPPER)	1
A2 - 11	D00L020	WASHER $\phi$ 6 (ALUMINIUM)	1
A2 - 12	D00C058	O-RING 30.8x3.2	2
A2 - 13	96006110	BOLT M6x110	1
A2 - 14	96006025	BOLT M6x20	2
A2 - 15	D00D021	SPARK PLUG A7TC	1

### A3 - CYLINDER BLOCK



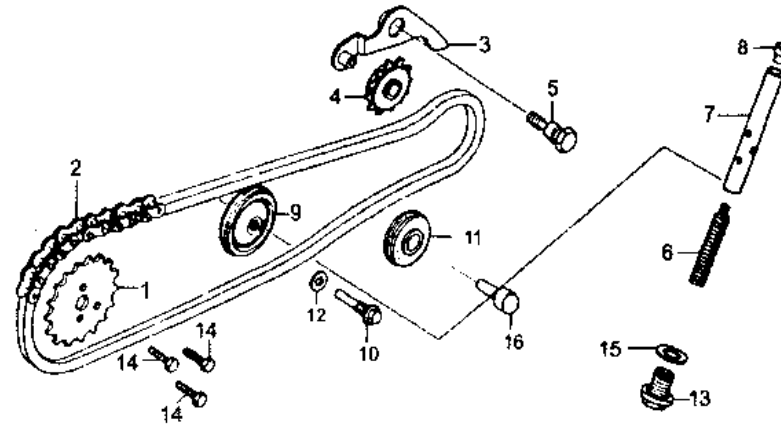
S.NO.	PART CODE	DESCRIPTION	QUANTITY
A3 - 1	E031A038	CYLINDER BLOCK	1
A3 - 2	E00B010	GASKET, CYLINDER BLOCK	1
A3 - 3	D00M032	BOLT M6×30	1
A3 - 4	E03C041	DAMPING RUBBER 1	1
A3 - 5	97108014	DOWEL PIN 8×14	2
A3 - 6	E03C040	DAMPING RUBBER 2	2
A3 - 7	97108012	DOWEL PIN 8×12	2
A3 - 8	D00L033	RECTANGULAR RING 11.5×15.7×2.4	1
A3 - 9	D001L032	RECTANGULAR RING 14.5×18.5×2.4	1

### A4 - CAMSHAFT/VALVE ASSY



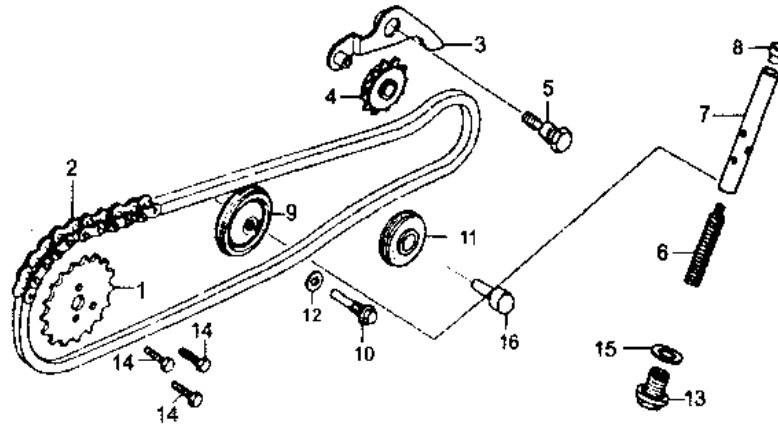
S.NO.	PART CODE	DESCRIPTION	QUANTITY
A4 - 1	D00C043	OIL SEAL,VALVE	2
A4 - 2	D0013F020	CAMSHAFT	1
A4 - 4	D00F000	ROCKER ARM	2
A4 - 5	D00F015	SHAFT,ROCKER ARM	2
A4 - 6	D00F045	INLET VALVE	1
A4 - 7	D00F039	EXHAUST VALVE	1
A4 - 8	D00H003	VALVE SPRING, OUTER	2
A4 - 9	D00H004	VALVE SPRING, INNER	2
A4 - 10	D00F034	RETAINER, VALVE SPRING	2
A4 - 11	D00F031	SEAT, VALVE SPRING	2
A4 - 12	D00F033	CLIP,VALVE	4
A4 - 13	A00F001	SCREW, VALVE CLEARANCE ADJUSTMENT	2
A4 - 14	A00F002	NUT,VALVE CLEARANCE ADJUSTMENT	2
A4 - 15	D00F000	ROCKER ARM ASSY	2
A4 - 16	200L043	WASHER $\phi 17.5 \times \phi 10.5 \times 0.2$	2

### A5 - TIMING CHAIN ASSY



S.NO.	PART CODE	DESCRIPTION	QUANTITY
A5 - 1	E03F011	TIMING DRIVEN SPROCKET	1
A5 - 2	E03F012	TIMING CHAIN	1
A5 - 3	D00F043	CHAIN TENSIONER ARM	1
A5 - 4	D00C020	ROLLER, CHAIN TENSIONER	1
A5 - 5	E04F041	SCREW	1
A5 - 6	D00H006	SPRING	1
A5 - 7	D00F042	TENSIONER BAR	1
A5 - 8	D00C022	CAP, TENSIONER BAR	1
A5 - 9	E03C023	GUIDE WHEEL	1
A5 - 10	E03F048	PIN, GUIDE WHEEL	1
A5 - 11	E04C021	ROLLER II, CHAIN TENSIONER	1
A5 - 12	D00L019	ALUMINIUM WASHER $\Phi 8$	1
A5 - 13	D00E025	SEALING PLUG M14 $\times$ 1.5	1
A5 - 14	578305012	BOLT M5 $\times$ 12	3
A5 - 15	D00L021	ALUMINIUM WASHER $\Phi 14$	1

**A5 - TIMING CHAIN ASSY**



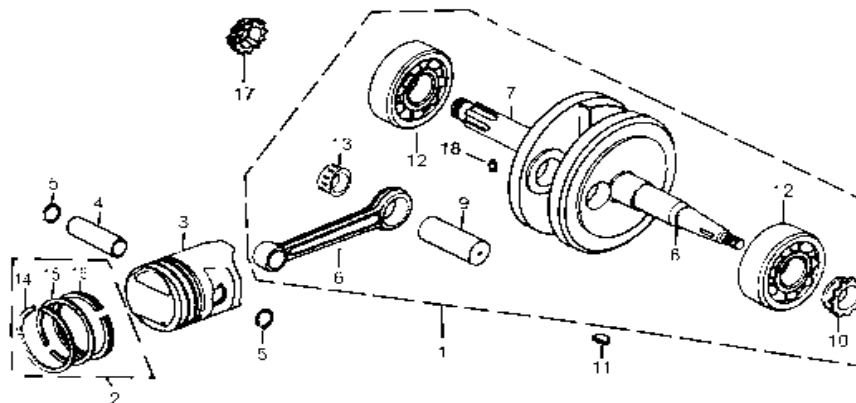
**S.NO.**    **PART CODE**  
A5 - 16    E04F041

**DESCRIPTION**  
PIN, CHAIN TENSIONER ROLLER II

**QUANTITY**  
1

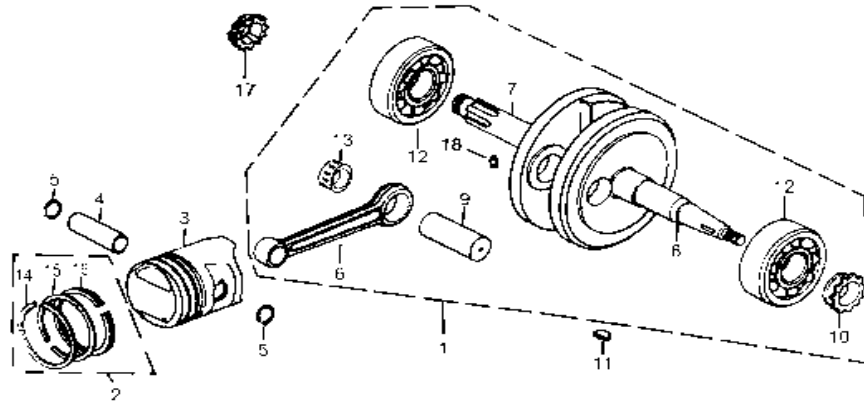


### A6 - CRANKSHAFT ASSY



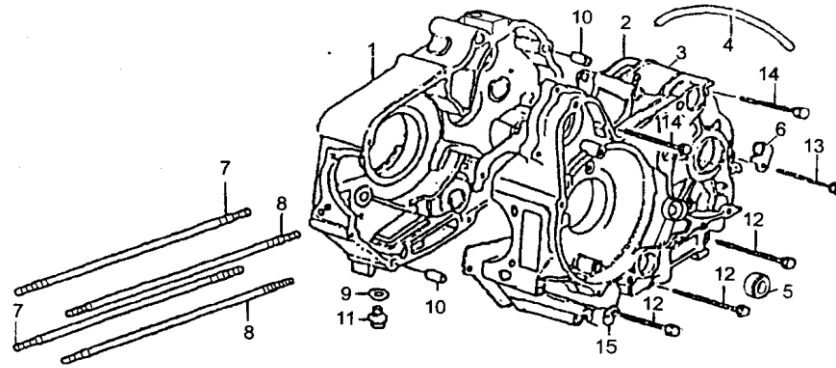
S.NO.	PART CODE	DESCRIPTION	QUANTITY
A6 - 1	2001J000	CRANKSHAFT & CONNECTING ROD ASSY	1
A6 - 2	E00J013	PISTON RING SET	1
A6 - 3	E00J014	PISTON	1
A6 - 4	E00J012	PISTON PIN	1
A6 - 5	D00J011	CIRCLIP,PISTON PIN	2
A6 - 6	200J025	CONNECTING ROD	1
A6 - 7	200J005	CRANKSHAFT,R	1
A6 - 8	200J006	CRANKSHAFT,L	1
A6 - 9	D00J007	PIN,CRANKSHAFT	1
A6 - 10	E04J002	DRIVE SPROCKET,TIMING(16T)	1
A6 - 11	D00J001	WOODRUFF KEY	1
A6 - 12	2766304	BEARING 6304	2
A6 - 13	A00J008	BEARING	1
A6 - 14	E00J009	PISTON RING(I)	1
A6 - 15	E00J010	PISTON RING(II)	1

### A6 - CRANKSHAFT ASSY



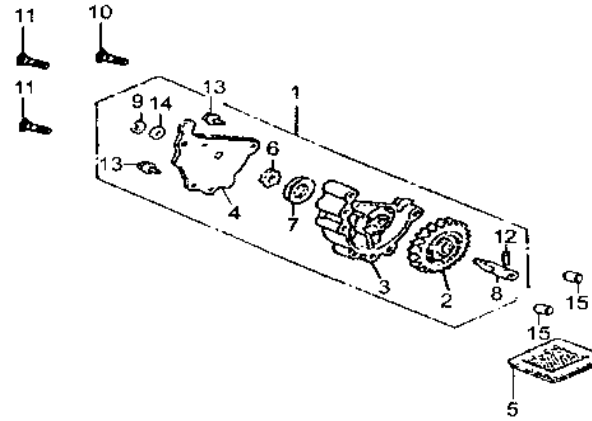
S.NO.	PART CODE	DESCRIPTION	QUANTITY
A6 - 16	E00J015	PISTON RING COMBINATION, 3-PIECE	1
A6 - 17	E04E033	OIL PUMP DRIVING GEAR	1
A6 - 18	201-13-18	PIN	1

### A7 - CRANKCASE ASSY



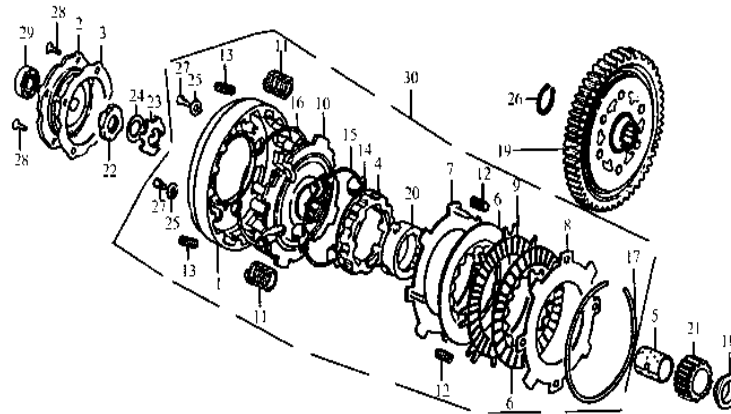
S.NO.	PART CODE	DESCRIPTION	QUANTITY
A7 - 1	E04A020	RIGHT CRANKCASE COMP	1
A7 - 2	E04B005	GASKET	1
A7 - 3	E04A010	LEFT CRANK CASE COMP	1
A7 - 4	D00C024	EXHAUST PIPE	1
A7 - 5	D00C026	OIL SEAL 11.6×24×10	1
A7 - 6	D00L191	CLAMP	1
A7 - 7	E03M001	STUD A M7×213	2
A7 - 8	E03M002	STUD B M7×205	2
A7 - 9	D00L022	WASHER $\Phi 12 \times \Phi 20 \times 2$	1
A7 - 10	97010014	DOWEL PIN 10×14	2
A7 - 11	D00E026	DRAIN PLUG M12×1.5	1
A7 - 12	96006065	BOLT M6×65	3
A7 - 13	96006050	BOLT M6×50	1
A7 - 14	96006060	BOLT M6×60	2
A7 - 15	D00L014	PIPE CLAMP	1

### A8 - OIL PUMP ASSY



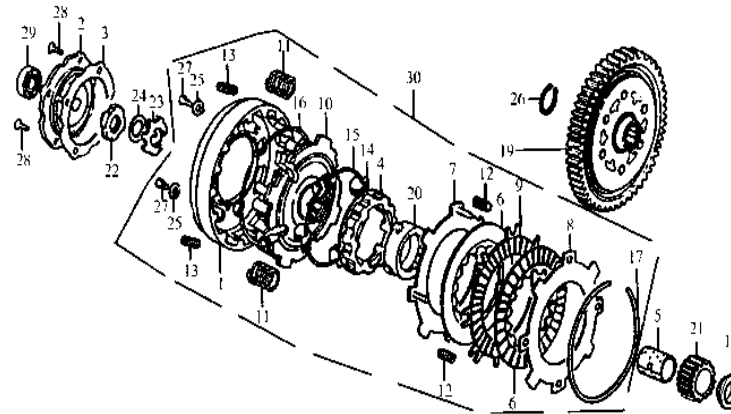
S.NO.	PART CODE	DESCRIPTION	QUANTITY
A8 - 1	200E000	OIL PUMP ASSY	1
A8 - 2	201-9-2	DRIVEN GEAR	1
A8 - 3	201-9-3	BODY, OIL PUMP	1
A8 - 4	201-9-4	COVER,OIL PUMP	1
A8 - 5	D00C037	OIL FILTER	1
A8 - 6	201-9-6	INNER ROTATOR	1
A8 - 7	201-9-7	OUTER ROTATOR	1
A8 - 8	201-9-8	SHAFT,OIL PUMP	1
A8 - 9	201-9-9	COLLAR	1
A8 - 10	201-9-10	SCREW M6×35	1
A8 - 11	201-9-11	SCREW M6×40	2
A8 - 12	201-9-12	DOWEL PIN 3×16	1
A8 - 13	201-9-13	BOLT M5×10	2
A8 - 14	201-9-14	WASHER Ø6	1
A8 - 15	201-9-15	PIN	2

### A9 - CLUTCH ASSY



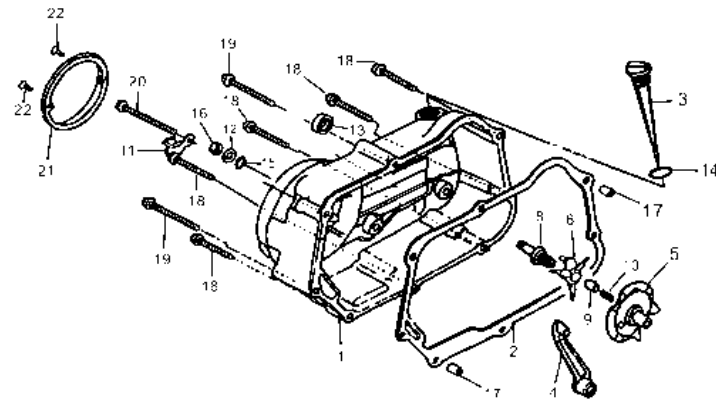
S.NO.	PART CODE	DESCRIPTION	QUANTITY
A9 - 1	201-7-1	OUTER COMP, CLUTCH	1
A9 - 2	D02G029	END COVER, CLUTCH	1
A9 - 3	D02B011	GASKET	1
A9 - 4	201-7-4	CENTER SLEEVE, CLUTCH	1
A9 - 5	E00J019	BUSH	1
A9 - 6	201G001-1	FRICTION PLATE (SINGLE SIDE)	2
A9 - 7	D00G062	CLUTCH PLATE	1
A9 - 8	D00G061	DRIVE PLATE A	1
A9 - 9	201G013	FRICTION PLATE (BOTH SIDE)	1
A9 - 10	201-7-10	DRIVE PLATE B	1
A9 - 11	201-7-11	CLUTCH SPRING	4
A9 - 12	201-7-12	SPRING 5×10	4
A9 - 13	201-7-13	DAMPING SPRING	4
A9 - 14	201-7-14	CLUTCH BLOCKS	32
A9 - 15	201-7-15	SPRING	1

### A9 - CLUTCH ASSY



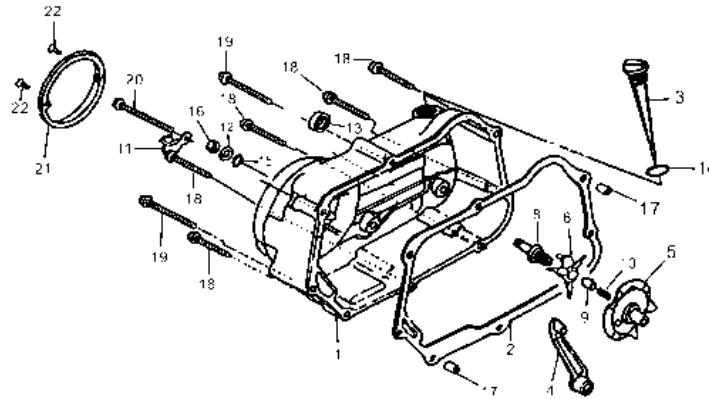
S.NO.	PART CODE	DESCRIPTION	QUANTITY
A9 - 16	201-7-16	COLLAR	1
A9 - 17	201-7-17	SPRING COLLAR	1
A9 - 18	A00G026	WASHER	1
A9 - 19	D02K016	PRIMARY DRIVER GEAR(69Z)	1
A9 - 20	201-7-20	SLEEVE,DRIVE GEAR	1
A9 - 21	D02K015	PRIMARY DRIVER GEAR(17Z)	1
A9 - 22	A00G055	LOCK NUT M14	1
A9 - 23	A00G022	LOCK WASHER $\Phi$ 14	1
A9 - 24	A00G052	WASHER $\Phi$ 14	1
A9 - 25	201-7-25	WASHER $\Phi$ 5	4
A9 - 26	A00K017	CIRCLIP	1
A9 - 27	81805010	SCREW M5 $\times$ 10	4
A9 - 28	81905010	SCREW M5 $\times$ 10	4
A9 - 29	2766000	ROLLER BEARING 6000	1
A9 - 30	201G060	CLUTCH SET	1

### A10 - RIGHT CRANKCASE COVER



S.NO.	PART CODE	DESCRIPTION	QUANTITY
A10 - 1	D02A034R	RIGHT CRANK CASE COVER	1
A10 - 2	E04B002	GASKET	1
A10 - 3	D00C038	DIPSTICK OIL GAUGE	1
A10 - 4	201G056	CLUTCH ARM	1
A10 - 5	201G044	PLATE, CLUTCH ARM	1
A10 - 6	201G045	CLUTCH TAPPET	1
A10 - 8	D00G049	CLUTCH ADJUSTING BOLT	1
A10 - 9	201-6-9	OIL TUBE	1
A10 - 10	D00L013	SPRING	1
A10 - 11	D00L039	CLIP	1
A10 - 12	D00L015	WASHER $\Phi 8$	1
A10 - 13	D00C016	OIL SEAL 13.8 $\times$ 24.5	1
A10 - 14	D00C060	O-RING 18 $\times$ 3	1
A10 - 15	D00C055	O-RING 7.5 $\times$ 1.8	1
A10 - 16	6170080000	HEX NUT M8	1

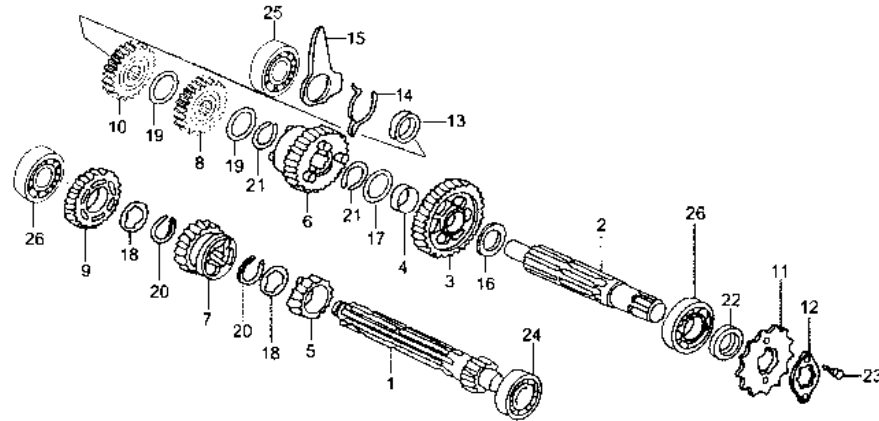
### A10 - RIGHT CRANKCASE COVER



S.NO.	PART CODE	DESCRIPTION	QUANTITY
A10 - 17	97008012	DOWEL PIN 8×12	2
A10 - 18	96006040	BOLT M6×40	5
A10 - 19	96006065	BOLT M6×65	2
A10 - 20	96006080	BOLT M6×80	1
A10 - 21	D01A039	CLUTCH COVER	2
A10 - 22	82006022	SCREW M6×12	2

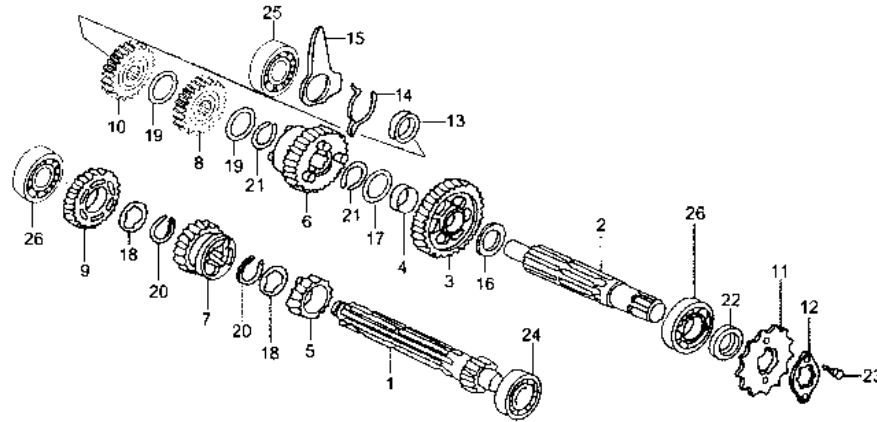


### A11 - TRANSMISSION ASSY



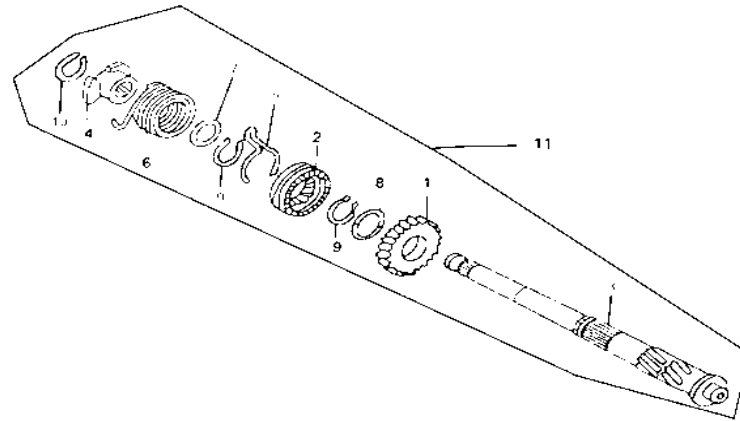
S.NO.	PART CODE	DESCRIPTION	QUANTITY
A11 - 1	D02K031	MAIN SHAFT	1
A11 - 2	D00K041	COUNTER SHAFT	1
A11 - 3	D00K042	FIRST GEAR, COUNTER SHAFT	1
A11 - 4	A00K043	BUSH 20x9	1
A11 - 5	D00K032	SECOND GEAR, MAIN SHAFT	1
A11 - 6	D00K045	SECOND GEAR, COUNTER SHAFT	1
A11 - 7	D00K033	THIRD GEAR, MAIN SHAFT	1
A11 - 8	D00K046	THIRD GEAR, COUNTER SHAFT	1
A11 - 9	D00K034	FOURTH GEAR, MAIN SHAFT	1
A11 - 10	D00K047	FOURTH GEAR, COUNTER SHAFT	1
A11 - 11	D00K014	DRIVE SPROCKET	1
A11 - 12	D00K013	LOCATING PLATE, SPROCKET	1
A11 - 13	D00K057	COLLAR	1
A11 - 14	D00K058	SPRING	1
A11 - 15	D00K071	GEARSHIFT DRUM LOCK PLATE	1

### A11 - TRANSMISSION ASSY



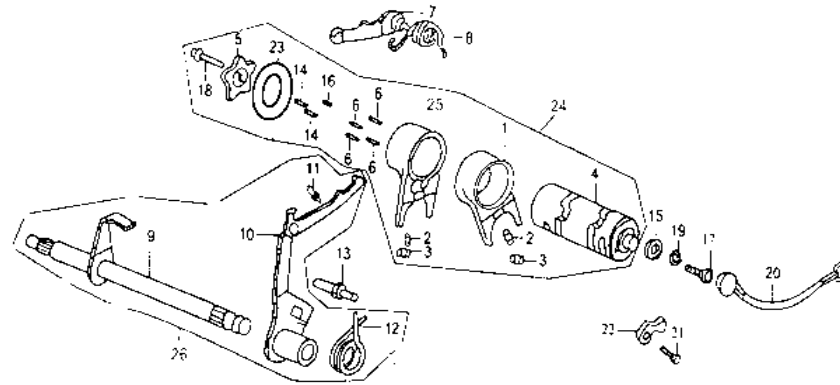
S.NO.	PART CODE	DESCRIPTION	QUANTITY
A11 - 16	A00K054	THRUST WASHER $\Phi$ 17	1
A11 - 17	A00K055	SPLINE WASHER $\Phi$ 17	1
A11 - 18	A00K055	SPLINE WASHER $\Phi$ 17	2
A11 - 19	A00K052	SPLINE WASHER $\Phi$ 20	2
A11 - 20	A00K053	EXTERNAL CIRCLIP 17MM	2
A11 - 21	D00K056	CIRCLIP 20MM	2
A11 - 22	D00C008	OIL SEAL 17×29×5	1
A11 - 23	578306008	HEX BOLT M6×8	2
A11 - 24	2766001	BEARING,6001	1
A11 - 25	2766201	BEARING,6201	1
A11 - 26	2766203	BEARING,6203	2

### A12 - KICK ASSY



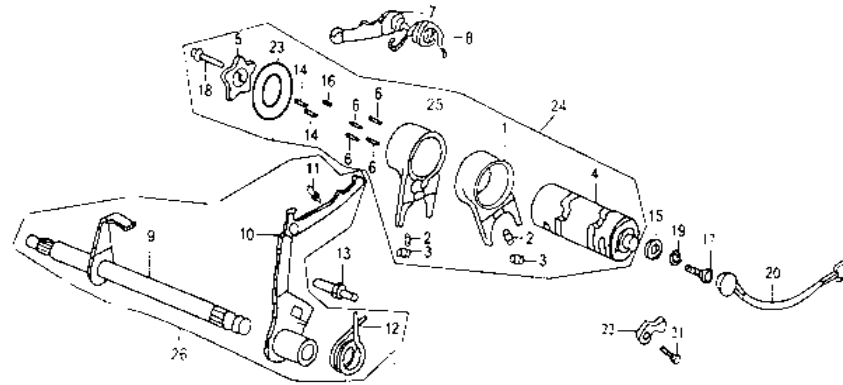
S.NO.	PART CODE	DESCRIPTION	QUANTITY
A12 - 1	D00I009	STARTING GEAR	1
A12 - 2	D00I006	RATCHET GEAR	1
A12 - 3	D00I010	STARTING SHAFT	1
A12 - 4	D00I011	SPRING RETAINER	1
A12 - 5	D00I016	SPRING, STARTING GEAR	1
A12 - 6	D00I012	RESET SPRING	1
A12 - 7	A00I008	WASHER $\Phi$ 17	1
A12 - 8	A00I004	THRUST WASHER $\Phi$ 20	1
A12 - 9	A00I002	CIRCLIP 20MM	2
A12 - 10	A00I007	EXTERNAL CIRCLIP 16MM	1
A12 - 11	D00I000	KICK ASSY	1

### A13 - GEAR SHAFT ASSY



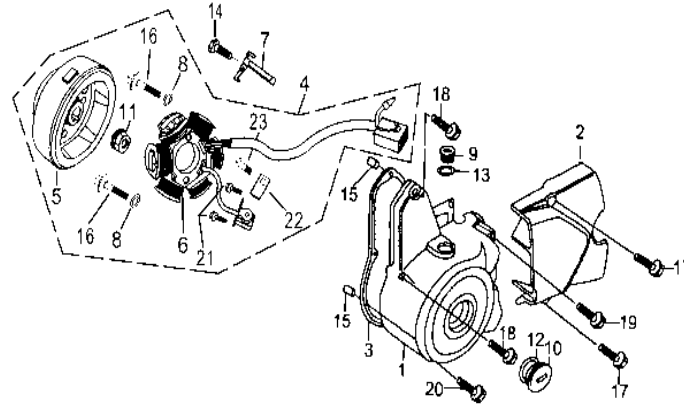
S.NO.	PART CODE	DESCRIPTION	QUANTITY
A13 - 1	D00K061	FORK GEARSHIFT (A)	1
A13 - 2	A00K069	GUIDE PIN	2
A13 - 3	A00K063	CIRCLIP	2
A13 - 4	D00K066	DRUM, GEAR SHIFT	1
A13 - 5	D00K023	CAM , GEARSHIFT	1
A13 - 6	D00K059	PIN	4
A13 - 7	D00K070	LOCATOR,GEARSHIFT	1
A13 - 8	D00H009	SPRING, LOCATOR	1
A13 - 9	D00K001	SHAFT COMP	1
A13 - 10	201-16-10	GEAR SHIFTER ARM	1
A13 - 11	201-16-11	SPRING,GEAR SHIFTER ARM	1
A13 - 12	201-16-12	RETURN SPRING, SHAFT COMP	1
A13 - 13	D00K024	PIN, GEAR SHIFTER ARM	1
A13 - 14	201-16-14	ROLLER 3×8.5	2
A13 - 15	D001D040	CONTACT SWITCH	1

### A13 - GEAR SHAFT ASSY



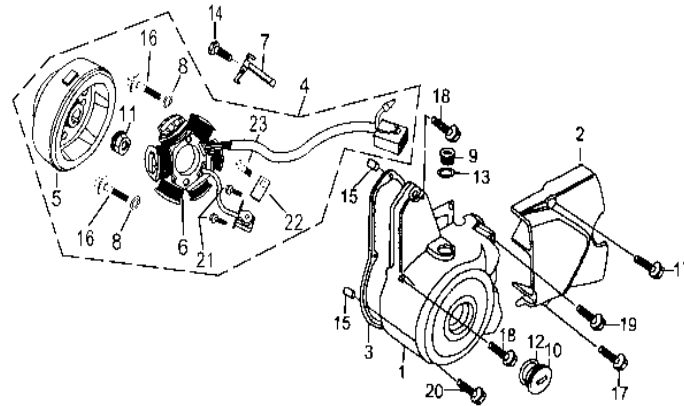
S.NO.	PART CODE	DESCRIPTION	QUANTITY
A13 - 16	201-16-16	PIN, GEARSHIFT INDICATOR	1
A13 - 17	7006014	BOLT M6×16	1
A13 - 18	578906016	BOLT M6×16	1
A13 - 19	93060000	WASHER Ø6	1
A13 - 20	D00D030	WIRE HARNESS	1
A13 - 21	81806012	SCREW M6×12	1
A13 - 22	D00L034	CATCH,GEARSHIFT INDICATOR	1
A13 - 23	201-16-23	PRESSURE PLATE,GEARSHIFT INDICATOR	1
A13 - 24	D00K060	DRUM SET,GEARSHIFT	1
A13 - 25	201-16-29	FORK GEARSHIFT (B)	1
A13 - 26	A02K000	GEARSHIFT SHAFT ASSY	1

### A14 - LEFT CRANKCASE COVER/MAGNETO ASSY



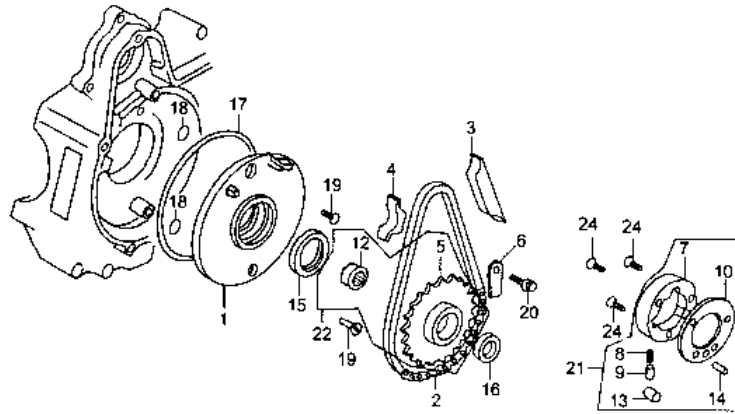
S.NO.	PART CODE	DESCRIPTION	QUANTITY
A14 - 1	D00A040	LEFT CRANK CASE COVER	1
A14 - 2	L00WG13	CHAIN GUARD, LEFT CRANK CASE	1
A14 - 3	D00B001	GASKET	1
A14 - 4	D00D050	MAGNETO COMP	1
A14 - 5	D00D060	ROTOR,MAGNETO	1
A14 - 6	D00D070	STATOR,MAGNETO	1
A14 - 7	C00L011	WIRE CLAMP	1
A14 - 8	93060000	WASHER $\Phi 6$	2
A14 - 9	D00A042	PLUG WATCH HOLE	1
A14 - 10	D00A043	COVER	1
A14 - 11	617710000	LOCK NUT	1
A14 - 12	D00C051	O-RING 27.4x2.4	1
A14 - 13	D00C052	O-RING 13.8x2.5	1
A14 - 14	96006016	BOLT M6x16	1
A14 - 15	97008012	DOWEL PIN 8x12	2

### A14 - LEFT CRANKCASE COVER/MAGNETO ASSY



S.NO.	PART CODE	DESCRIPTION	QUANTITY
A14 - 16	96006020	BOLT M6×16	2
A14 - 17	96006028	BOLT M6×28	2
A14 - 18	96006032	BOLT M6×32	2
A14 - 19	96006050	BOLT M6×50	1
A14 - 20	96006065	BOLT M6×70	1
A14 - 21	81805016	SCREW M5×16	2
A14 - 22	D00L024	WIRE CLAMP	1
A14 - 23	81805006	SCREW M5×6	2

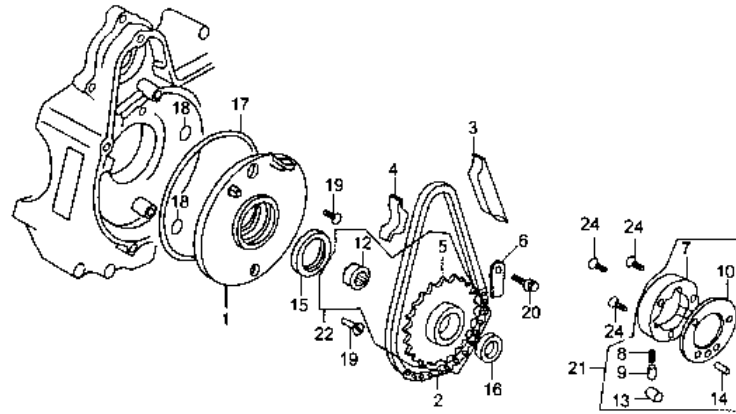
### A15 - STARTING CLUTCH ASSY



S.NO.	PART CODE	DESCRIPTION	QUANTITY
A15 - 1	D00A060	PLATE, OIL SEAL	1
A15 - 2	D00I011	CHAIN, STARTING CLUTH	1
A15 - 3	D00C006	GUIDE,STARTING CLUTCH CHAIN	1
A15 - 4	D00C007	PROTECTOR, STARTING CLUTCH CHAIN	1
A15 - 5	D00I020	STARTING SPROCKET	1
A15 - 6	D00L027	ADJUSTMENT PLATE,STARTING SPROCKET	1
A15 - 7	D00G072	BODY,STARTING CLUTCH	1
A15 - 8	D00G073	SPRING	3
A15 - 9	D00G074	BUSH	3
A15 - 10	D00G075	COVER PLATE,STARTING CLUTCH	1
A15 - 12	D00I021	COLLAR, STARTING SPROCKET	1
A15 - 13	D00G071	ROLLER 10×10	3
A15 - 14	D00G076	PIN 5×12	1
A15 - 15	D00C019	OIL SEAL 30×42×4.5	1
A15 - 16	D00C028	OIL SEAL 18.9×30×5	1

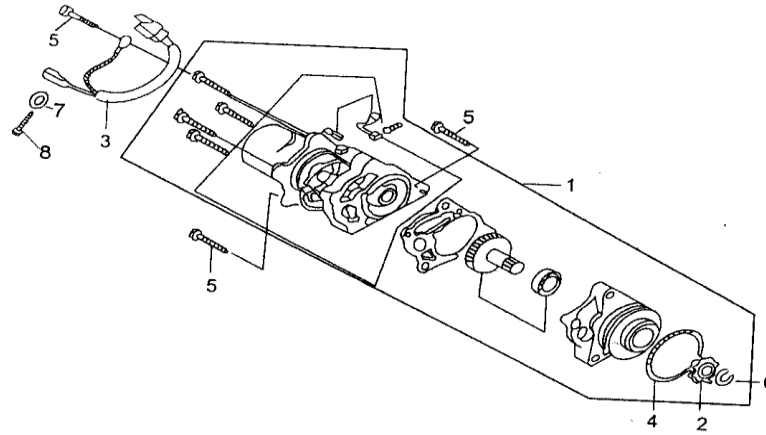


### A15 - STARTING CLUTCH ASSY



S.NO.	PART CODE	DESCRIPTION	QUANTITY
A15 - 17	D001C062	O-RING 107×2	1
A15 - 18	F00C048	O-RING 6.8×1.9	2
A15 - 19	81906016	SCREW M6×16	2
A15 - 20	578306016	SCREW M6×14	1
A15 - 21	201-10-21	STARTING CLUTCH ASSY	1
A15 - 22	201-10-22	SPROCKET	1
A15 - 24	7006014	SCREW M6×14	3

### A16 - STARTING MOTOR ASSY




S.NO.	PART CODE	DESCRIPTION	QUANTITY
A16 - 1	D00D000	STARTING MOTOR ASSY	1
A16 - 2	D00D006	SPROCKET	1
A16 - 3	201-11-3	CONNECTION WIRE, STARTING MOTOR	1
A16 - 4	D00D015	O-RING	1
A16 - 5	96006050	BOLT M6×50	3
A16 - 6	F00G030	COLLAR	1
A16 - 7	201-11-7	WASHER Φ4	1
A16 - 8	84804006	SCREW M4×6	1



***Raybar***

[www.raybarmotorcycles.com](http://www.raybarmotorcycles.com)

 /raybarmoto